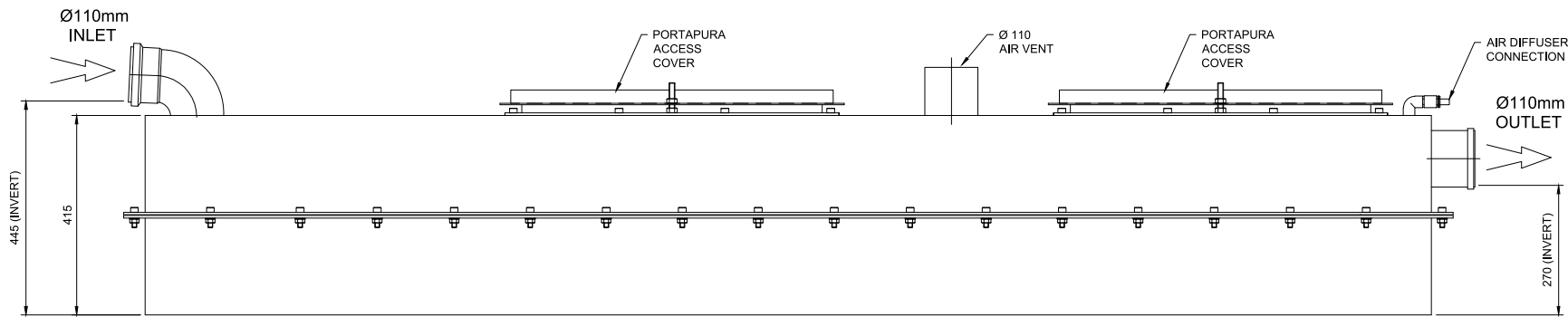



PLAN

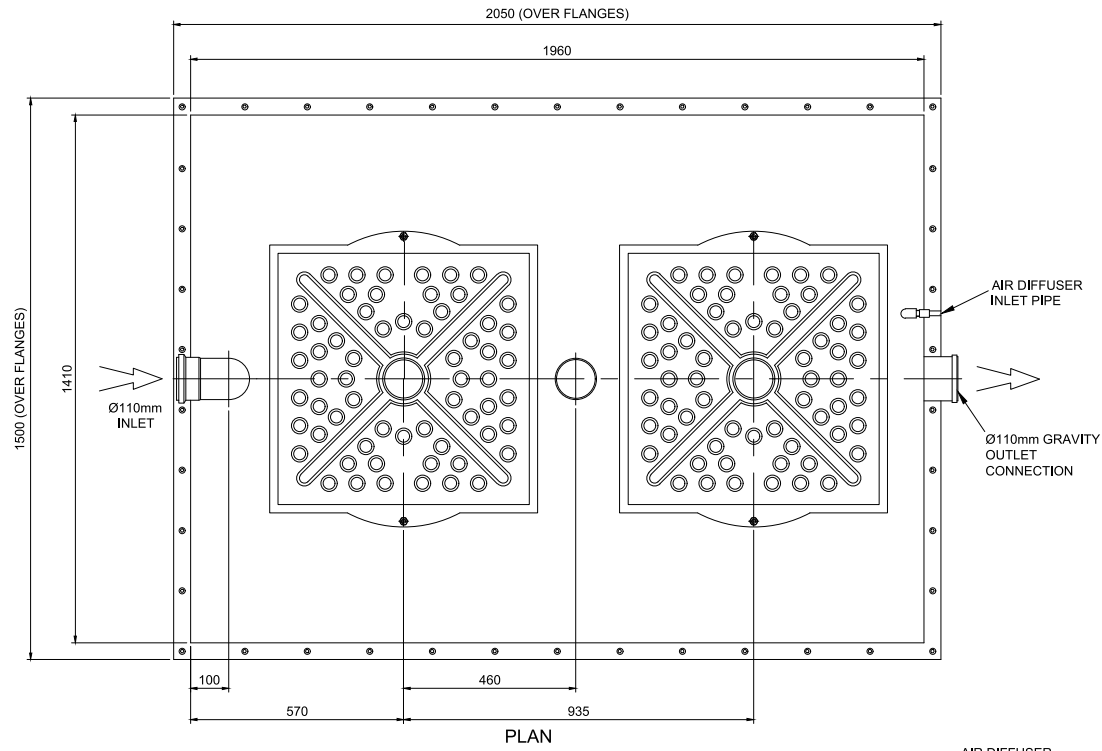


SIDE VIEW

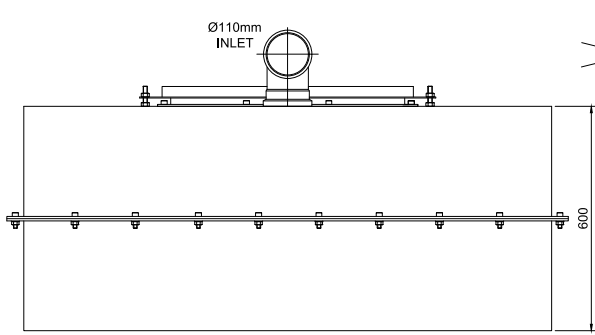
REV	DESCRIPTION	DATE	SIG	REV	DESCRIPTION	DATE	SIG
				A		17.01.19	

THIS DRAWING IS THE PROPERTY OF PORTAPURA, AND MUST NOT BE REPRODUCED OR CIRCULATED FOR ANY PURPOSE WHATSOEVER WITHOUT FIRST OBTAINING WRITTEN CONSENT FROM PORTAPURA.			CLIENT
DRG.	CHRD	APPD	
SCALE		DATE	
N.T.S.		17.01.2019	
3 RD ANGLE PROJECTION		DO NOT SCALE IF IN DOUBT ASK	

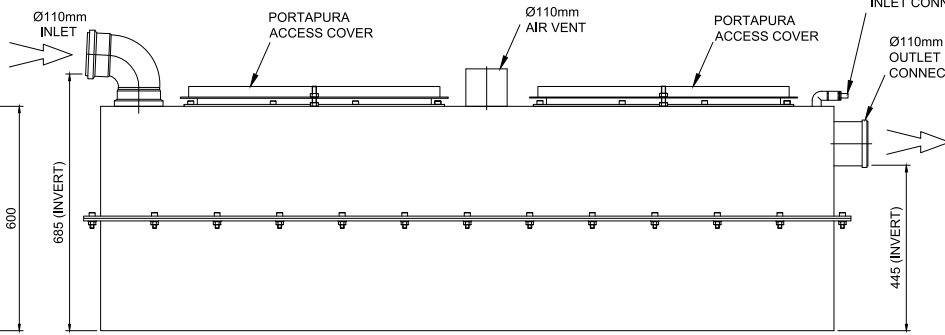
TITLE GENERAL ARRANGEMENT OF THE "PORTAPURA" 2 - PERSON GRAVITY TREATMENT PLANT.		 PORTAPURA INTELLIGENT WATER TREATMENT
DRG.	REV	
PORTAPURA G2	A	



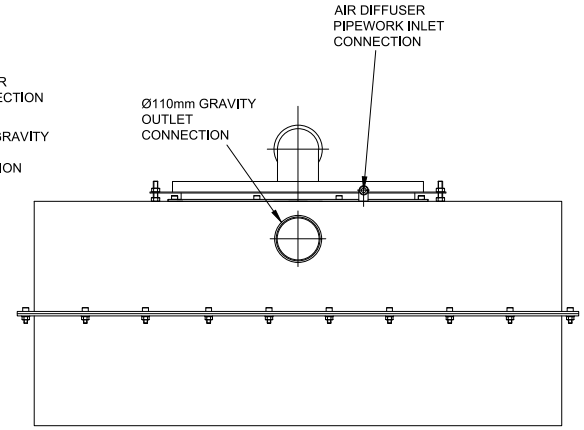
PLAN



VIEW ON INLET



SIDE VIEW



VIEW ON OUTLET

REV	DESCRIPTION	DATE	SIG	REV	DESCRIPTION	DATE	SIG
				A	For Approval		

THIS DRAWING IS THE PROPERTY OF PORTAPURA, AND MUST NOT BE REPRODUCED OR CIRCULATED FOR ANY PURPOSE WHATSOEVER WITHOUT FIRST OBTAINING WRITTEN CONSENT FROM PORTAPURA.

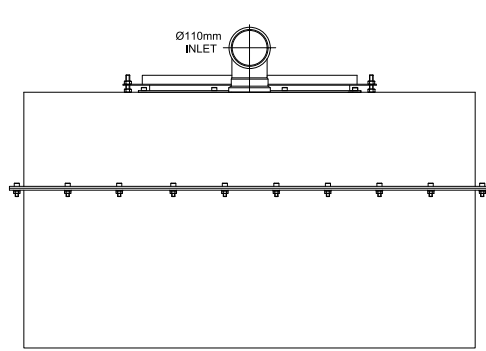
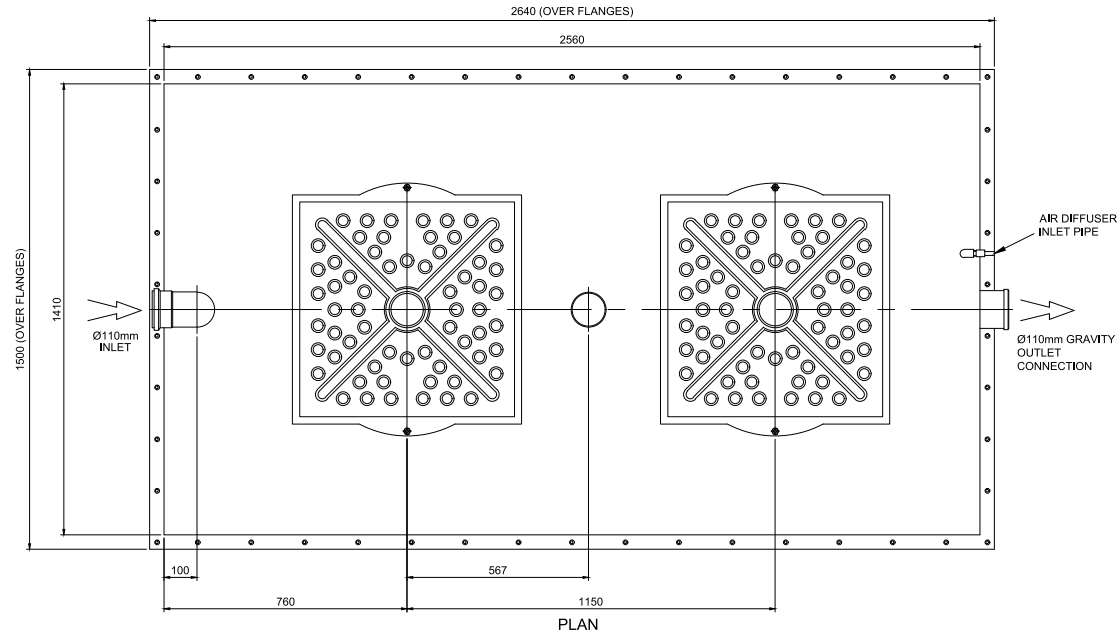
DRG.	CHRD	APPD
SCALE	N.T.S.	DATE
		SEPT 2018

3 RD ANGLE PROJECTION DO NOT SCALE IF IN DOUBT ASK

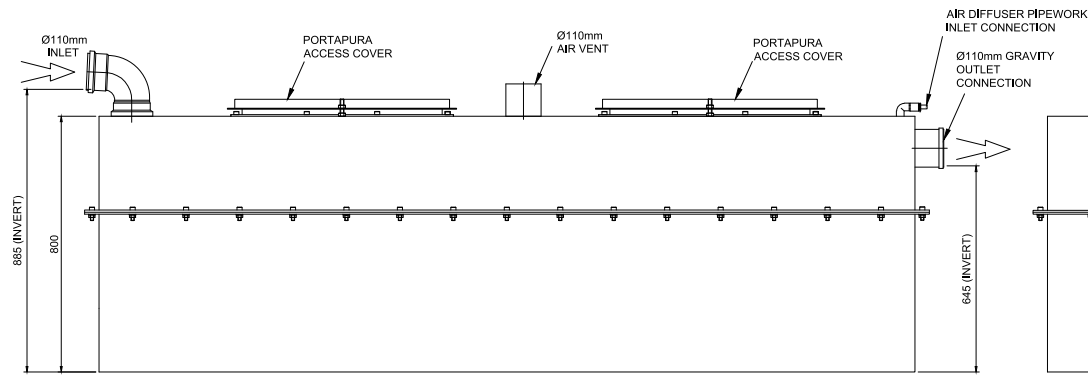
CLIENT

TITLE
GENERAL ARRANGEMENT OF THE "PORTAPURA" 3 - PERSON GRAVITY TREATMENT PLANT.

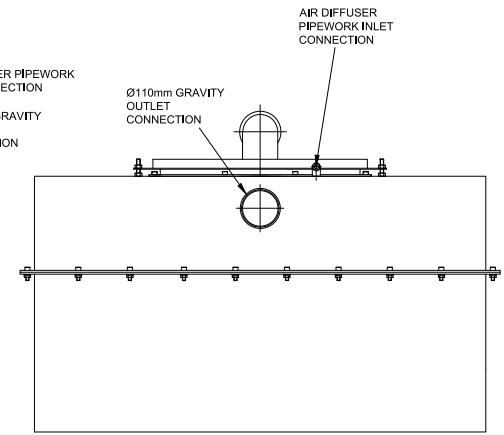
DRG. PORTAPURA G3 REV A



VIEW ON INLET



SIDE VIEW



VIEW ON OUTLET

REV	DESCRIPTION	DATE	SIG	REV	DESCRIPTION	DATE	SIG
				A	For Approval		
				B	STEP IN LOWER HALF REMOVED AND TANK MADE LEVEL.	10.01.19	N.J.

THIS DRAWING IS THE PROPERTY OF PORTAPURA, AND MUST NOT BE REPRODUCED OR CIRCULATED FOR ANY PURPOSE, WHATSOEVER, WITHOUT FIRST OBTAINING WRITTEN CONSENT FROM PORTAPURA.

DRG.	CHRD	APPD
SCALE	DATE	
N.T.S.	SEPT 2018	

3 RD ANGLE PROJECTION DO NOT SCALE IF IN DOUBT ASK

CLIENT

TITLE
GENERAL ARRANGEMENT OF THE "PORTAPURA" 5 - PERSON GRAVITY TREATMENT PLANT.

DRG. PORTAPURA G5 REV B